



NAVIGATIONAL  
**ECHO SOUNDER**  
SES-5000

- ✓ 10.4" WIDE COLOR LCD
- ✓ MAX,24HOURS LONG MEMORY
- ✓ ALARM FOR DESINATED DEPTH
- ✓ BUILT IN TERMAL PRINTER
- ✓ USER FRIENDLY MENU



IMO STANDARDS MSC.74(69) ANNEX 4



 **SAMYUNG ENC Co.,Ltd.**

Head Office : 69, Sangni-Ro, Youngdo-Gu, Busan, Korea, 606-083  
Tel : 82-51-601-5530(Rep.) Fax : 82-51-413-4446

A/S Center : 1, Ilsanbong-Ro, Yungdo-Gu, Busan, Korea, 606-819  
Tel : 82-1577-0198(ARS) Fax : 82-51-416-5515

# NAVIGATIONAL ECHO SOUNDER

## FEATURES

### DISPLAY MODE

Select a desired screen mode.

### MARK

Mark lat/lon, time and location

### PRINTER

Print the data displayed on the current screen.

(Paper width : 57mm)

### ALARM

Alarm Log, Printer Alarm, AC Power

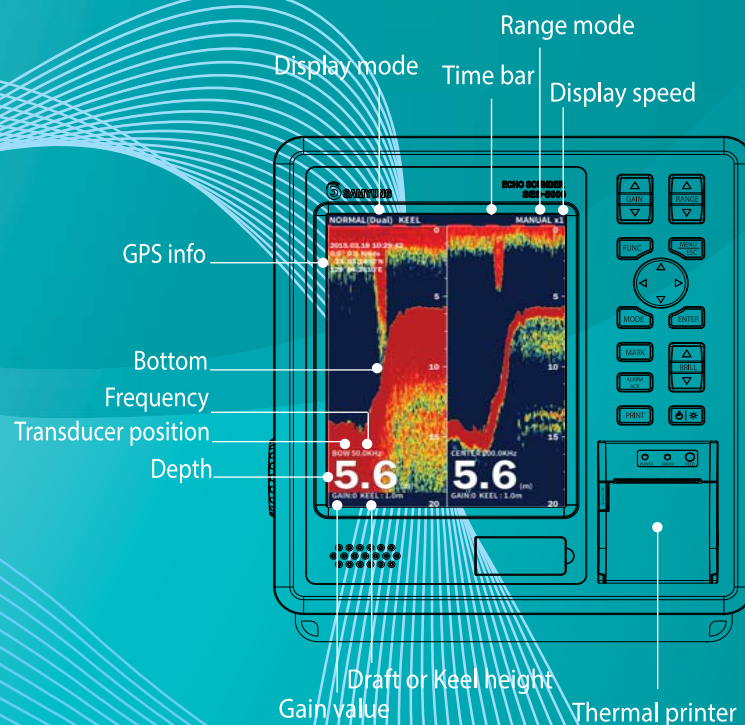
Last 99 memorized alarm logs display, last 20 memorized alarm log printed. When printer becomes abnormal, AC power failed alarm alerts.

### BACKGROUND

BLACK, WHITE

Change background color according to the surrounding environment.

## SES-5000



### Display

Display	10.4 color LCD(600x800 pixel)
Frequency	50KHz / 200KHz
Output Power	1kw, 1.5kw
Color	8/16/64 colors, Background : Selectable among 5 colors
Range	5, 10, 20, 50, 100, 200, 500, 800, 1000m
Depth accuracy	+2.5%
Minimum sounding depth	50KHz : 1.7m, 200KHz : 0.6m
Draft	0-50m
Display mode	Single, Dual, Replay, Depth
Screen speed	x4, x2, x1, x1/2, 1/4, 1/8, Stop
Alarm function	Depth, Power fail, System error
Auto display	Auto gain(fishing/sailing), Auto depth
Noise reduction	Off, Light, Medium, Strong or Frequency adjustment (Range depends o transducer)
Replay function(Data storage)	24hrs(30secs save interval)
Time mark	30secs
Software Version	1.0.0

Power supply	Main 100-230VAC, 50/60Hz ±5% Sub 22-30VDC
Operation environment	Temperature : Main equipment -15°C - +55°C Humidity : Less than 93% (+30°C - +60°C)

### Interface

Number of port	NMEA0183 VER1.5/2.0/3.0(I/O)-2port
Input data	GGA, VTG, ZDA
Output data	DBT, DBS, DPT, GGA, GLL, GSA, GSV, VTG, ZDA
Output alarm signal	Depth, Power fail, System error

### COMPONENT

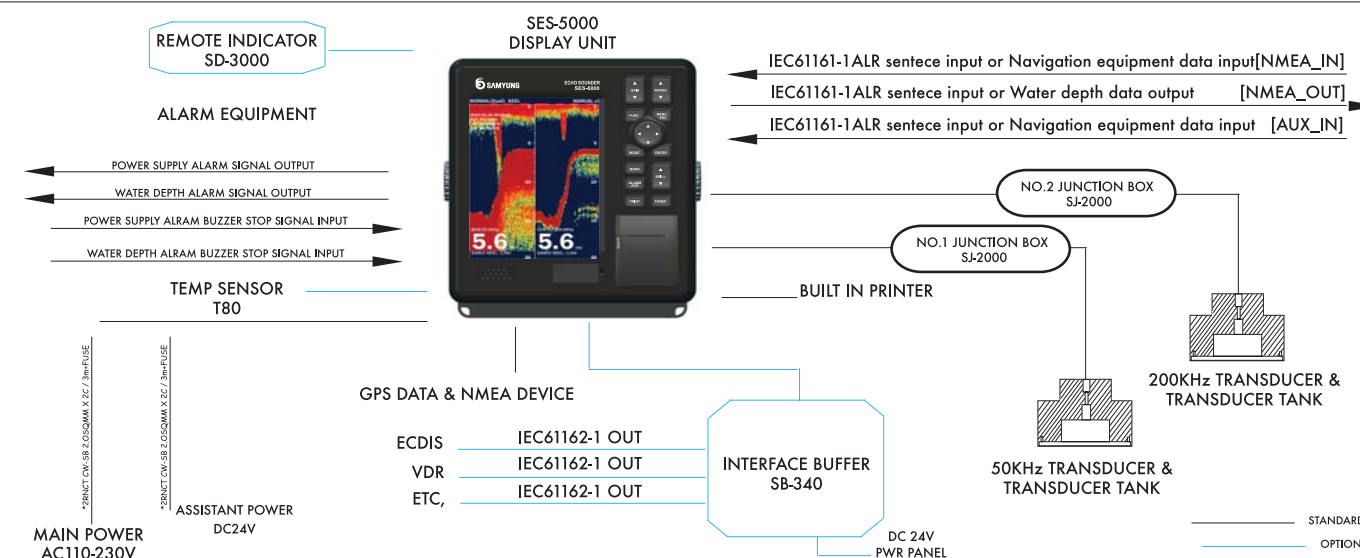
#### Standard

Main unit	SES-5000
Installation set	
Manual	

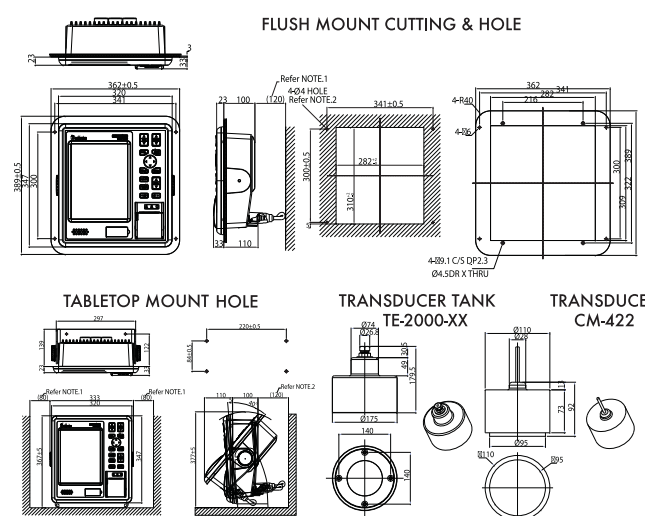
#### Option

Interface unit	SB-340
Water temp sensor	T80
Depth indicator	SD-3000
Dimmer controller	DM-3001
Transducer tank	TE-2000-XX
Junction box	SJ-2000

### DIAGRAM



### INSTALLATION



### DIMENSION

