

Samyung SART

GMDSS
9 GHz SEARCH & RESCUE
RADAR TRANSPONDER
SAR-9

NEW



Complied with related
IMO/GMDSS requirements.



SAMYUNG ENC Co.,Ltd.

SAMYUNG SART(SAR-9) GMDSS 9 GHz RADAR TRANSPONDER

Samyung SAR-9 is a Radar Transponder, which is operated in 9.2~9.5 GHz(3cm) marine radar band. When a radar signal is received from a SAR craft, the SAR-9 automatically starts to transmit a response signal echoing to that Radar.

SAR craft can identify SART's location on the radar screen with 12 in-line dots.

Once activated, the SAR-9 will remain in stand-by condition for 96 hours followed by minimum 8 hours transmission.

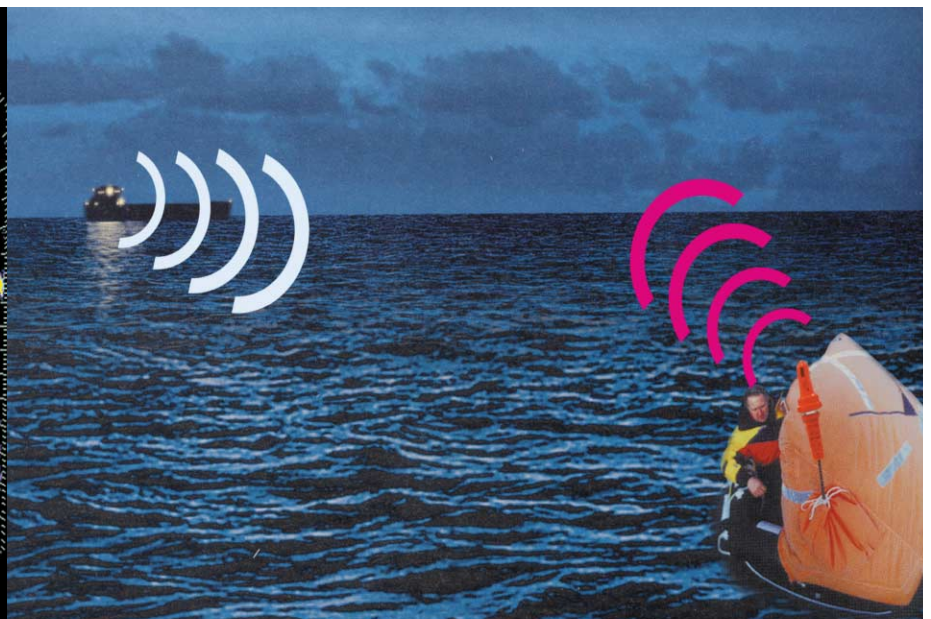
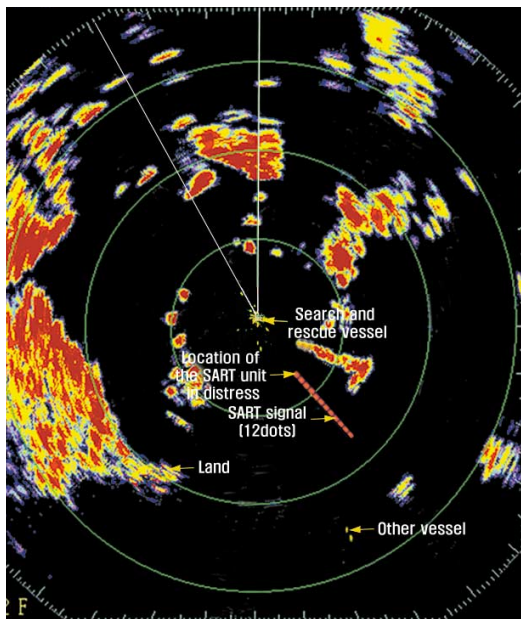
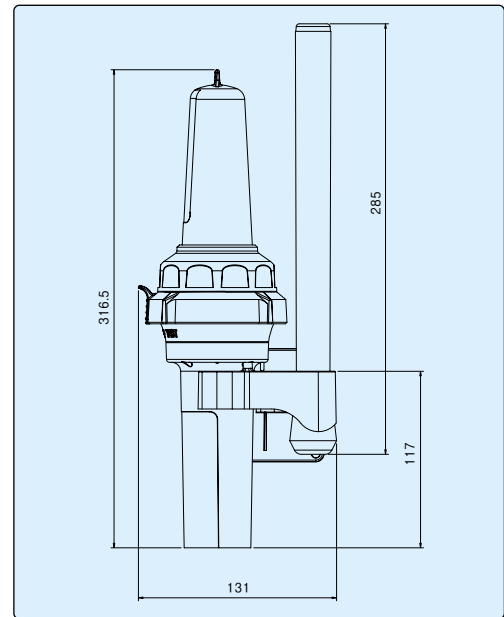
FEATURES

- Complied with related IMO/GMDSS requirements
- Designed for reliable operation in the roughest of marine environments
- Lightweight and rugged construction is suitable for placing at liferafts.
- Complete set with a liferaft mounting kit
- Efficiently assisting ship or survival craft rescue operations

SPECIFICATIONS

- Frequency : 9.2 ~9.5 GHz
- Polarization : Horizontal
- Vertical beam width : +12.5 Degrees
- Azimuthal beam width : Omnidirectional to $\pm 2\text{dB}$
- Radiated power : > 400mW (+26dBm)
- Form of sweep : Sawtooth(12 sweeps)
- Pulse emission : < $100\mu\text{s}$
- Forward sweep time : $7.5\mu\text{s} \pm 1\mu\text{s}$
- Return sweep time : $0.4\mu\text{s} \pm 0.1\mu\text{s}$
- Recovery time : < $10\mu\text{s}$
- Response time : < $0.5\mu\text{s}$
- Effective sensitivity : better than -50dBm
- Duration of operation : 96 hours in standby condition followed by a minimum 8 hours of transmission while being continuously interrogated by an X-band radar with a pulse repetition frequency of 1KHz at extreme temperatures
- Battery life : 5 years
- Temperature range : Operating -20°C to 55°C , Storage -30°C to 65°C

DIMENSION



* Specification is subject to change without pre-notice

SAMYUNG ENC Co.,Ltd.

Head Office : 1123-17, Dongsam-Dong, Youngdo-Gu, Busan, Korea, 606-083
Tel : 82-51-601-5532(Rep.) Fax : 82-51-413-4446
A/S Center : 65-20, 2-Ga Namhang-Dong, Yungdo-Gu, Busan, Korea, 606-032
Tel : 82-51-601-5570~4(Rep.) Fax : 82-51-416-5515
Http : //www.samyoungenc.com



ISO 9001:2000 / KS A 9001:2001
Certificate No. : RQM0645

