



**ELECTRONIC
COMPASS**

SEC-730

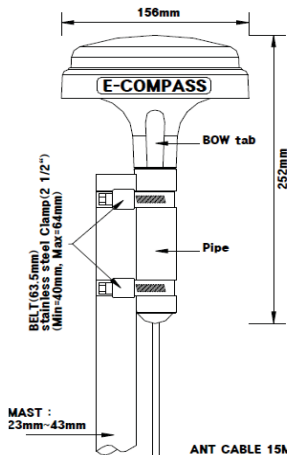
- ✓ Outputs NMEA0183 data / heading, pitching, rolling and rate of turn
- ✓ Tracks GPS data using SBAS in seconds
- ✓ Provides stable and accurate data in dynamic conditions
- ✓ Compensates heading offset with software
- ✓ Built in performance of automatic compensation of magnetic variation
- ✓ Waterproof housing and cable system
- ✓ Interfacing with all the marine electronics adopting digital heading signals

GPS BUILT IN

3-AXIS ELECTRONIC COMPASS

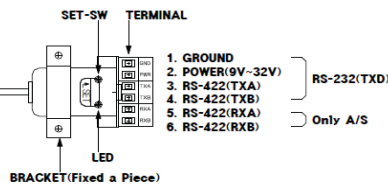
SPECIFICATION

DIMENSION



ANT CABLE 15M (7P SHIELD CABLE) :

COLOR	NAME	FUNCTION
Red	PWR	DC 9V to 32V
Black	GND	DC 0V
Brown	TXA	RS-422(TXA)
Orange	TXB	RS-422(TXB)
Yellow	RXA	RS-422(RXA)
Green	RXB	RS-422(RXB)
Blue	SET	Setting Line



COMPONENT

Electronic compass — SEC-730
Manual
Installation kit

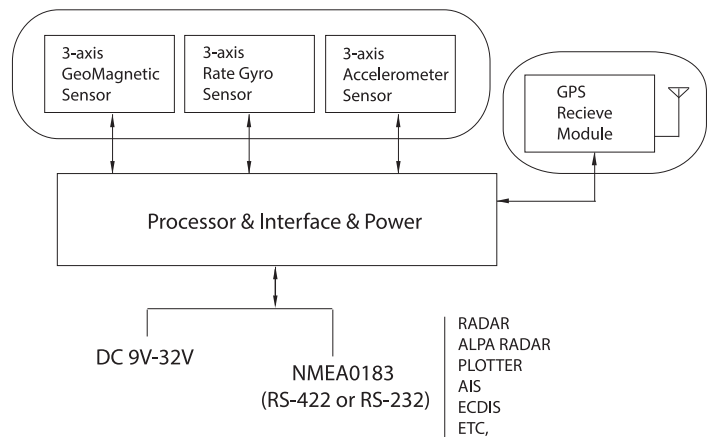
Static compass accuracy — 1° RMS when levels
Dynamic compass accuracy — 2° RMS
Heading display resolution — 0.1°
Settling time — 1min
Heading data output update rate — 10Hz
Rate of turn range — 0°-70°/sec
Rate of turn data output update rate — 2Hz (adjustable up to 0-10Hz)
Pitch and roll range / Display resolution — ±50° / 0.1°
Static / Dynamic pitch and roll accuracy — <1° / <3°
Pitch and roll alignment — Yes (with software)
Pitch and roll data output update rate — 2Hz (adjustable up to 0-10Hz)
Transmission speed — 4800bps (adjustable with software)
Output term — maximum velocity (automatic)

Sentence — HDT,RMC, ROT,ATT(default) / DTM,GGA,GLL,GSA,GSV,HDG,VTG,ZDA (Option)

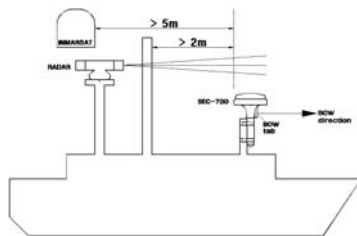
Satellite tracked / Type of tracking satellites — 56 channels / GPS, SBAS, QZSS
GPS data output update rate — 1Hz
GPS cold and warm start acquisition — 29secs

Power supply — DC 12V-24V / <90mA (@DC12V)
Humidity / vibration — 95%(@40°C) / IEC60945
Operating / Storage temperature range — -25°C-55°C / -30°C-70°C

SYSTEM DIAGRAM



INSTALLATION



Installation condition

- ✓ at point of clear sky
- ✓ heading direction oriented
- ✓ at low track of land
- ✓ horizontal against the sphericity of the Earth
- ✓ distant from magnetic fields

Installation standard

Heading mark (Bow tab)	Heading directions		
Heading sensor	○ Correct	◎ Perfect	× Incorrect