

4/6KW 48/72NM 12" LCD Color Marine Radar

SMBR



SMBR-1204

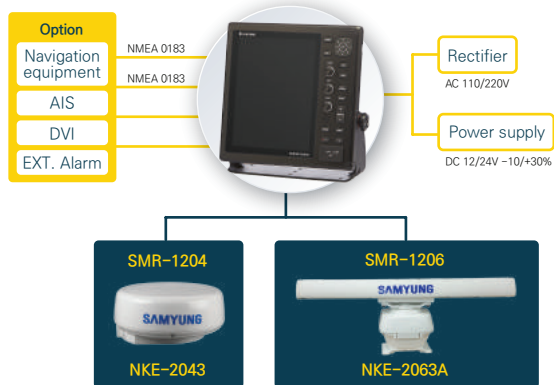
SMBR-1206

• 4/6KW 48/72NM 12" LCD Color Marine Radar •

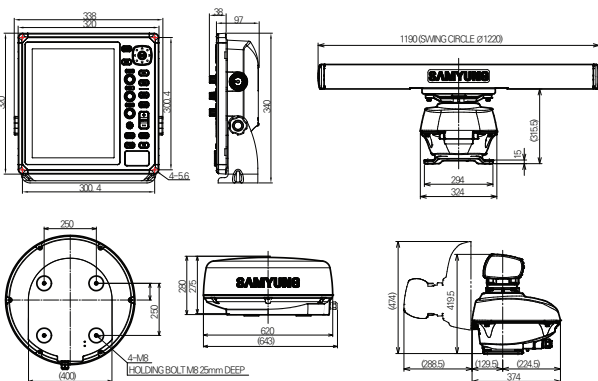
FEATURES

- Applied with 12.1" Panel viewing angle 178
- Optical bonding applied on LCD Display for brightness control during daytime
- Maximum of 20 automatic and 10 manual simultaneous track system
- Able to store 1,000 record of data and display up to 100 data information sent to external AIS equipment
- Able to overlay radar image on the chart for safe voyage
- Due to external direction sensor value of radar and chart image, display image rotates in real-time
- Radar image can be displayed on the monitor with DVI connecting method
- PC mouse (wire/wireless) can be connected to radar equipment for faster and convenient use of cursor movement and target selection
- Radar images can be overlaid on the all NAVIONICS charts

CONFIGURATION



DIEMENSIONS



SPECIFICATIONS

| SMR-1204/1206 | | |
|--------------------------|---|--|
| Display Unit | 12 Inch Color LCD, Vertical Display | |
| Resolution | 800*600 | |
| Indication Type | RASTER SCAN TYPE | |
| Distance Unit | NM/SM(0.0625~72NM), KM(0.15~32KM) | |
| Display Mode | Motional Mode | Relative, True |
| | Azimuth Mode | Head-Up(Relative), North-Up(Relative, True), Course-Up(Relative, True) |
| Consumption Power | 60W/85W | |
| Power Supply | DC 12/24V -10%/+30% | |
| Waves/Heavy Rain Clutter | Automatic/Manual | |
| Course Indication | Off, 15s, 30s, 1min, 2min, 3min, 4min, 5min, 6min, 10min, 15min, 30min, 1hr, 2hr, 3hr, 4hr, 5hr, 6hr, 10hr, 12hr, 24hr, Cont. | |
| Input/Output Port | NMEA0183(4 Port), NMEA2000(1 Port) | |
| AIS Track Capacity | 100Target(marked)/1000Target(Static Data) | |
| AIS Indication Data | MMSI, Call Sign, Vessel Name, COG, SOG, CPA, TCPA, Bearing, Distance | |
| ARPA Track Capacity | 30 Target | |
| ARPA Indication Data | COG, SOG, CPA, TCPA, Bearing, Distance | |
| EXT. Monitor | DVI Output | |

NKE-2043 (2 Ft. Antenna)

| | |
|-----------------|--------------------------------|
| Type | Dome-Type Antenna |
| Output Power | 4KW |
| TX Frequency | 9,410 ±30MHz |
| Detection Range | 0.0625 ~ 48NM |
| Revolution | 16 ~ 48RPM |
| Beam Width | Horizontal 4.0° / Vertical 25° |

NKE-2063A (4 Ft. Antenna)

| | |
|-----------------|--------------------------------|
| Type | Bar-Type Antenna |
| Output Power | 6KW |
| TX Frequency | 9,410 ±30MHz |
| Detection Range | 0.0625 ~ 72NM |
| Revolution | 16 ~ 27RPM |
| Beam Width | Horizontal 2.0° / Vertical 30° |

Components

- Display Unit (SMR-1204/1206)
- Antenna (NKE-2043/2063A)
- Installation Material, Spare Parts, Instruction Manual

 **SAMYUNG ENC Co.,Ltd.**

69, Sangni-Ro, Youngdo-Gu, Busan, Korea, 49089(Dongsam-Dong)

Head Office : +82 51-601-6666(Rep) Fax : +82 51-412-6616
 Marketing&Service Division : +82 51-601-5555(Rep) Fax : +82 51-413-4446, 601-5540
 +82 1577-0198(ARS) Fax : +52 51-416-5515

A/S Center : overseas@samyungenc.com(Overseas Marketing&Service Team)



KS Q ISO 9001:2015
SMI-2216Q



KAB-QC-42